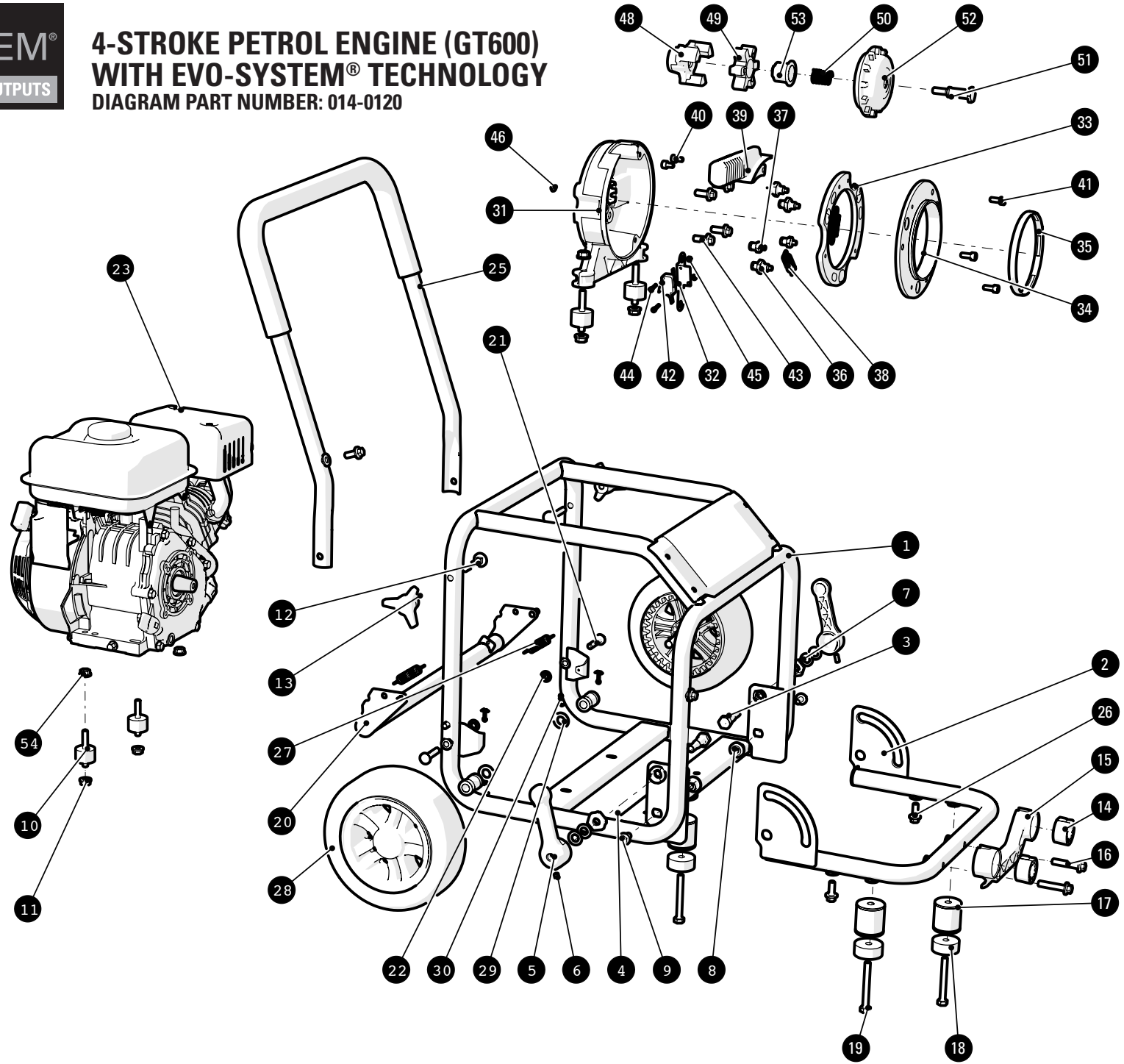


**4-STROKE PETROL ENGINE (GT600)
WITH EVO-SYSTEM[®] TECHNOLOGY**
DIAGRAM PART NUMBER: 014-0120





4-STROKE PETROL ENGINE (GT600) WITH EVO-SYSTEM® TECHNOLOGY

DIAGRAM PART NUMBER: 014-0120

Registered Design. Patent Pending 1101605.2.

No.	Part No.	Description	Quantity	List Price (€)
1	014-1149	Engine Frame	1	83.70
2	014-1090	Accessory Frame	1	22.05
3	014-1089	Centre - Frame lock	2	1.29
4	014-1093	Follower - Cam plate	2	5.91
5	014-1130	Lever	2	5.40
6	F-SSCP-M6-12-ST-BO	M6 x 12 Set Screw Cup Point	2	0.51
7	014-1044	Bellville washer	4	2.19
8	014-1114	Nut Special Hinge	2	5.79
9	F-HFS-M8-15-ST-BZP	M8 x 15 Hex Flange Screw	2	0.51
10	014-1151	Engine Mount	4	6.43
11	F-NFS-M8-X-ST-SC	M8 Flange Nut (Serrated)	4	0.51
12	F-CB-M8-50-ST-BZP	M8 x 50 Coach Bolt	2	1.67
13	014-1217	Knob	2	1.09
14	014-1042	Accessory Mounting Rubber	2	1.29
15	014-1048	Accessory Support Bracket	1	4.82
16	F-HFS-M8-40-ST-BZP	M8 x 40 Hex Flanged Screw	2	0.87
17	014-1117	Foot	3	3.21
18	014-1218	Rubber Foot	3	1.35
19	F-HS-M8-70-ST-BZP	M8 x 70 Hex Screw	3	0.99
20	014-1147	Brake Bar	1	11.06
21	014-1148	Pin	2	2.89
22	F-W-M8-X-ST-BZP	M8 Flat Washer	2	0.41
23	014-1057	Mitsubishi GT600 Engine	1	405.71
25	014-1124	Handle	1	17.36
26	F-HFS-M8-20-ST-BZP	M8 x 20 Hex Flanged Screw	4	0.51
27	014-1162	Spring	2	0.77

No.	Part No.	Description	Quantity	List Price (€)
28	014-1167	Wheel	2	20.21
29	F-W-M12-X-ST-BZP	M12 Flat Washer	2	0.51
30	F-SPLITPIN-3-20-ST-BZP	Split Pin 3mm x 20mm	4	0.86
31	014-1097	Housing - drive	1	23.14
32	014-1099	Bracket (microswitch)	1	1.16
33	014-1141	Latch Plate	1	21.86
34	014-1110	Plate - Lock	1	53.36
35	014-1011	Guide Ring	1	1.29
36	014-1067	Pin - Guide	3	5.79
37	014-1056	Spring Retainer	2	1.29
38	014-1010	Spring	2	0.93
39	014-1095	Lever	1	4.82
40	F-SHCS-M6-10-ST-BZP	M6 x 10 Socket Head Cap Screw	2	0.51
41	F-SHCS-M6-15-ST-BZP	M6 x 15 Socket head Cap Screw	3	0.51
42	014-1079	Micro Switch	1	4.82
43	F-HFS-M8-20-ST-BZP	M8 x 20 Hex Flanged Screw	4	0.51
44	F-SHCS-M3-16-ST-BO	M3 x 16 Socket Head Cap Screw	2	0.51
45	F-NFN-M3-X-ST-BZP	M3 Nyloc Flanged Nut	2	0.41
46	014-1140	Grommet	1	0.51
48	014-1139	Drive Hub	1	12.86
49	014-1072	Spider HNBR Coupling	1	17.10
50	014-1020	Spring	1	0.51
51	014-1106	Bolt - Flexible Drive	1	1.93
52	014-1126	Hub - Accessory	1	3.86
53	014-1107	Bush	1	3.54
54	F-NFS-M8-X-ST-SC	M8 Flanged Nut (Serrated)	4	0.51