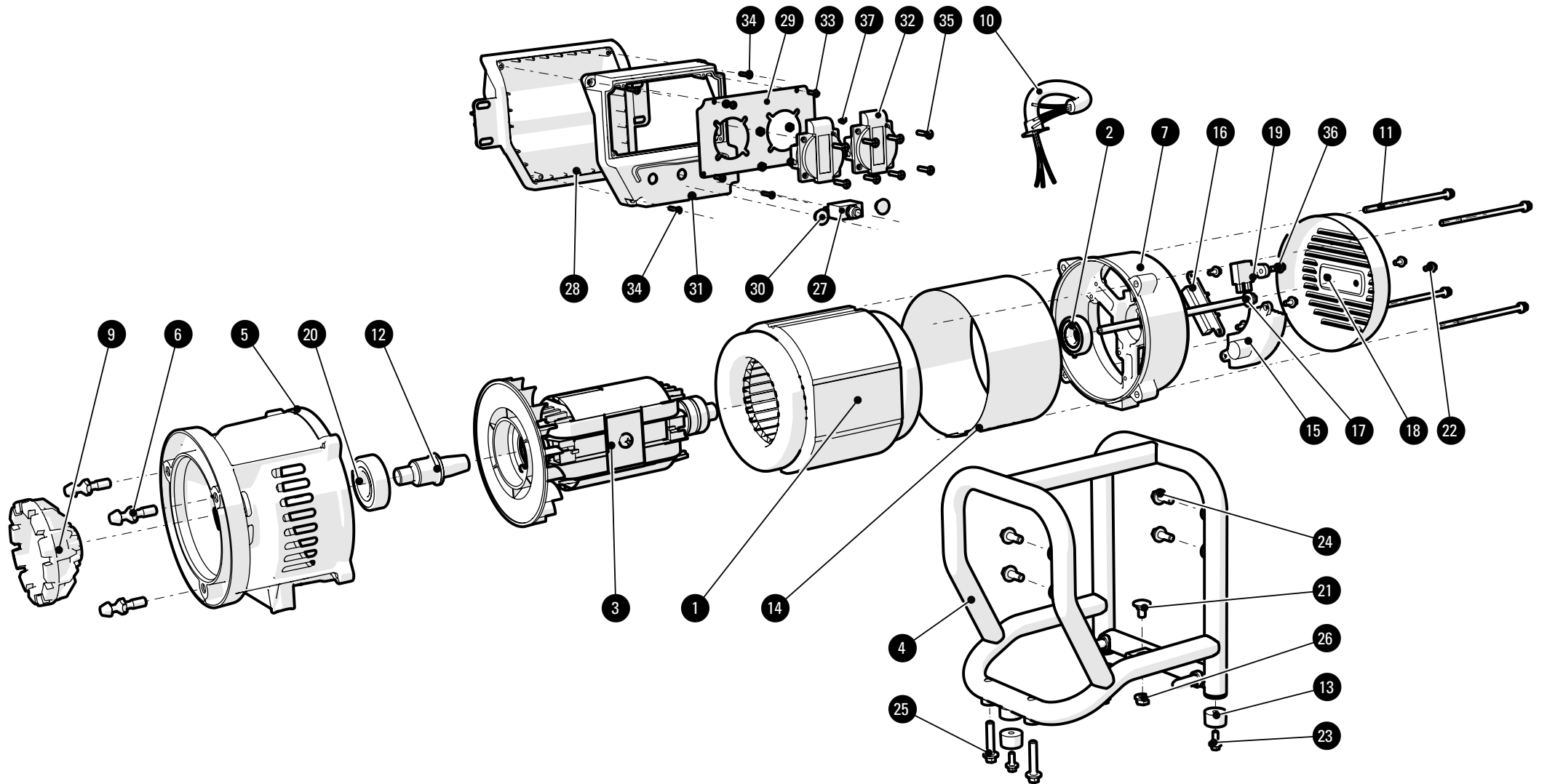




**GENERATOR (GEN2800)
WITH EVO-SYSTEM® TECHNOLOGY**
DIAGRAM PART NUMBER: 014-0114B

Registered Design. Patent Pending 1101605.2.





**GENERATOR (GEN2800)
WITH EVO-SYSTEM® TECHNOLOGY
DIAGRAM PART NUMBER: 014-0114B**

Registered Design. Patent Pending 1101605.2.

No.	Part No.	Description	Quantity	List Price (€)
1	014-0114-2B	Stator 2.5Kw 230V	1	114.26
2	014-0114-3	Custom Bearing	1	3.60
3	014-0114-4B	Rotor 2.5Kw 230V	1	128.26
4	014-1061	Frame	1	36.00
5	014-1063	Adaptor Casting	1	35.81
6	014-1066	Pin	3	3.92
7	014-1074	Rear housing	1	28.93
9	014-1129	Accessory Hub	1	5.46
10	014-1136B	Wiring Loom	1	17.23
11	014-1137	Fastener Subassy	4	2.13
12	014-1155	Shaft	1	11.70
13	014-1165	Ruber Feet	3	1.93
14	014-1207	Laminations cover	1	2.19
15	014-1220	AVR	1	36.79
16	014-1221	Terminal Block	1	2.51
17	014-1222	Stator Bolt	1	2.57
18	014-1223	End cover	1	3.47
19	014-1224	Brush Holder	1	12.84

No.	Part No.	Description	Quantity	List Price (€)
20	F-B-6205-2RSR	Bearing 6205 2RSR	1	4.82
21	F-CB-M8-15-ST-BZP	M8 x 15 Coach Bolt	1	0.51
22	F-HFS-M5-10-ST-BZP	M5 x 10 Hex Flanged Screw	6	0.51
23	F-HFS-M6-15-ST-BZP	M6 x 15 Hex Flanged Screw	3	0.51
24	F-HFS-M8-20-ST-BZP	M8 x 20 Hex Flanged Screw	4	0.80
25	F-HFS-M8-40-ST-BZP	M8 x 40 Hex Flanged Screw	2	0.94
26	F-NFS-M8-X-ST-SC	M8 Flanged Nut (Serrated)	1	0.51
27	014-1131	Overload Switch 20A	1	14.46
28	014-1078	Electrical Housing - Rear	1	4.50
29	014-1179	Fascia Plate	1	8.00
30	014-1183	Blanking Plug	2	1.83
31	014-1184	Electrical Housing (Front)	1	4.50
32	014-1206	CEE 7/4 (Schuko) Socket	2	6.43
33	F-TFSPHPZ-30-15-ST-B0	Threadforming PH Screw 30 x 15	4	0.41
34	F-TFSPHPZ-30-20-ST-B0	Threadforming PH Screw 30 x 20	4	0.41
35	F-SCHPZ-M4-20-ST-B0	M4 x 20 Countersunk Pozidriv Screw	8	0.41
36	F-HFS-M5-15-ST-BZP	M5 x 15 Hex Flanged Screw	1	0.41
37	F-NSF-M4-ST-BZP	M4 Nut (standard)	8	0.41