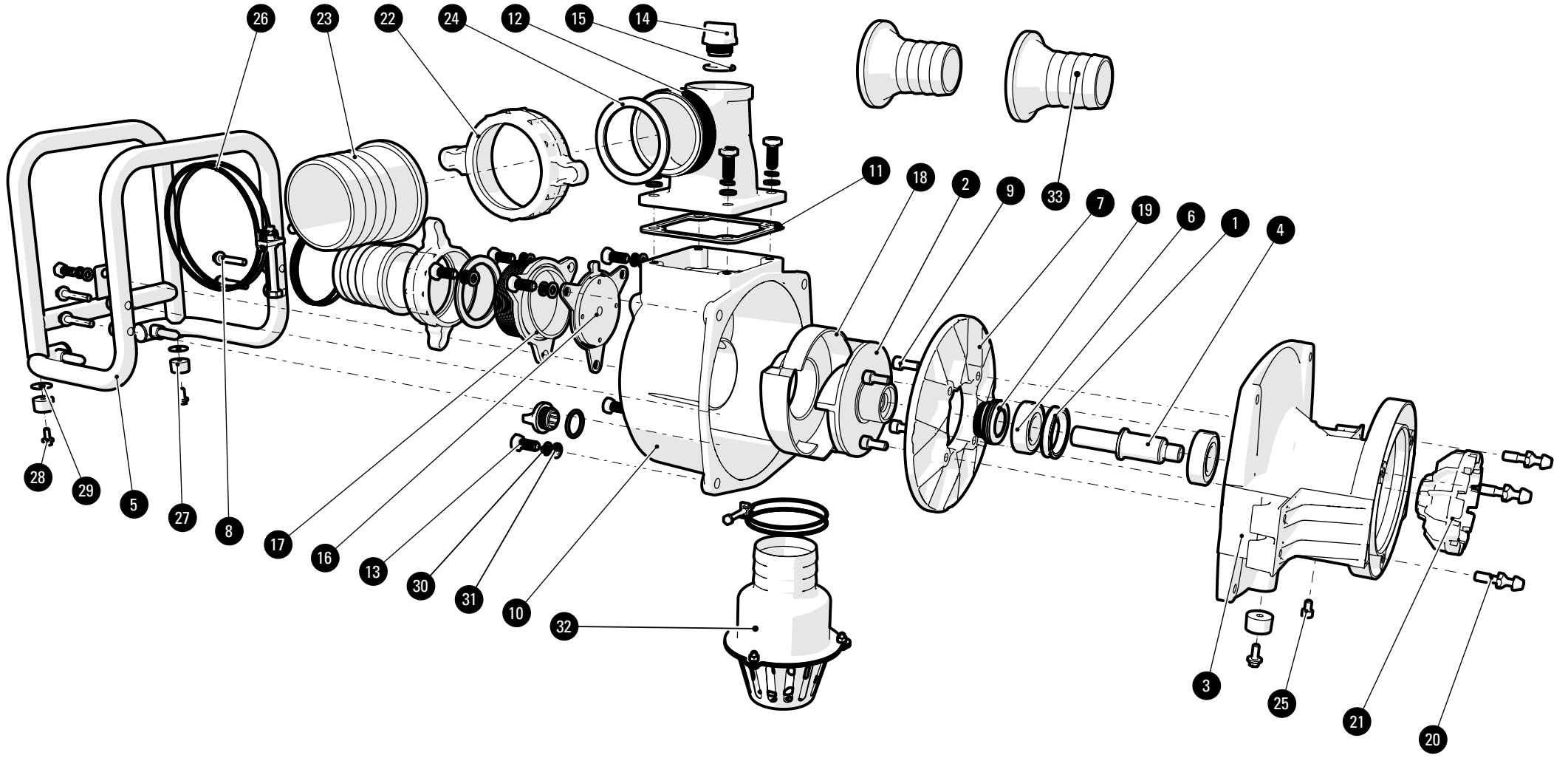




WATER PUMP (DWP1000)
WITH EVO-SYSTEM® TECHNOLOGY
DIAGRAM PART NUMBER: 014-0117

Registered Design. Patent Pending 1101605.2.





**WATER PUMP (DWP1000)
WITH EVO-SYSTEM® TECHNOLOGY
DIAGRAM PART NUMBER: 014-0117**

Registered Design. Patent Pending 1101605.2.

No.	Part No.	Description	Quantity	List Price (€)
1	014-1104	Spacer	1	1.22
2	014-1134-2	Impeller	1	15.43
3	014-1143	Adapter Casting	1	68.14
4	014-1144	Shaft	1	13.50
5	014-1145	Frame	1	33.43
6	F-B-6205-2RSR	Bearing 6205 2 RSR	2	4.44
7	014-1102	Impeller Back plate	1	20.57
8	F-HFS-M8-45-ST-BZP	M8 x 45 Hex Flanged Screw	4	0.80
9	F-SHCS-M8-20-ST-BZP	M8 x 20 Socket Head Cap Screw	4	0.80
10	014-1134-A	Main Pump housing	1	77.79
11	014-1134-B	Output Gasket	1	3.02
12	014-1134-C	Output Casting	1	32.14
13	F-HS-M10-25-ST-BZP	M10 x 25 Hex Screw	11	0.64
14	014-1134-E	Plug	2	1.29
15	014-1134-F	O-Ring	2	0.42
16	014-1134-G	Flap valve	1	10.48
17	014-1134-H	Inlet Casting	1	13.11

No.	Part No.	Description	Quantity	List Price (€)
18	014-1134-K	Impeller flow guide	1	21.86
19	014-1134-1	Seal	1	10.29
20	014-1066	Pin	3	3.86
21	014-1129	Accessory Hub	1	7.07
22	014-1134-3-A	Collar	2	7.71
23	014-1134-3-B	75mm Hose Fitting	2	9.00
24	014-1134-5	Rubber Gasket	2	2.19
25	F-SHCS-M6-10-ST-BZP	M6 x 10 Socket Head Cap Screw	1	0.51
26	014-1134-4	Hose Clamp 75mm	3	2.76
27	014-1165	Rubber Feet	3	0.77
28	F-HFS-M6-15-ST-BZP	M6 x 15 Hex Flanged Screw	3	0.51
29	F-RW-M6-X-ST-BZP	M6 Repair Washer	2	0.51
30	F-SWA-M8-X-ST-SC	M8 Spring Washer	11	0.41
31	F-W-M8-X-ST-SC	M8 Flat Washer	11	0.51
32	014-1228	Basket Strainer and Valve 75mm	1	11.79
33	014-1230	50mm Hose Fitting	2	9.84