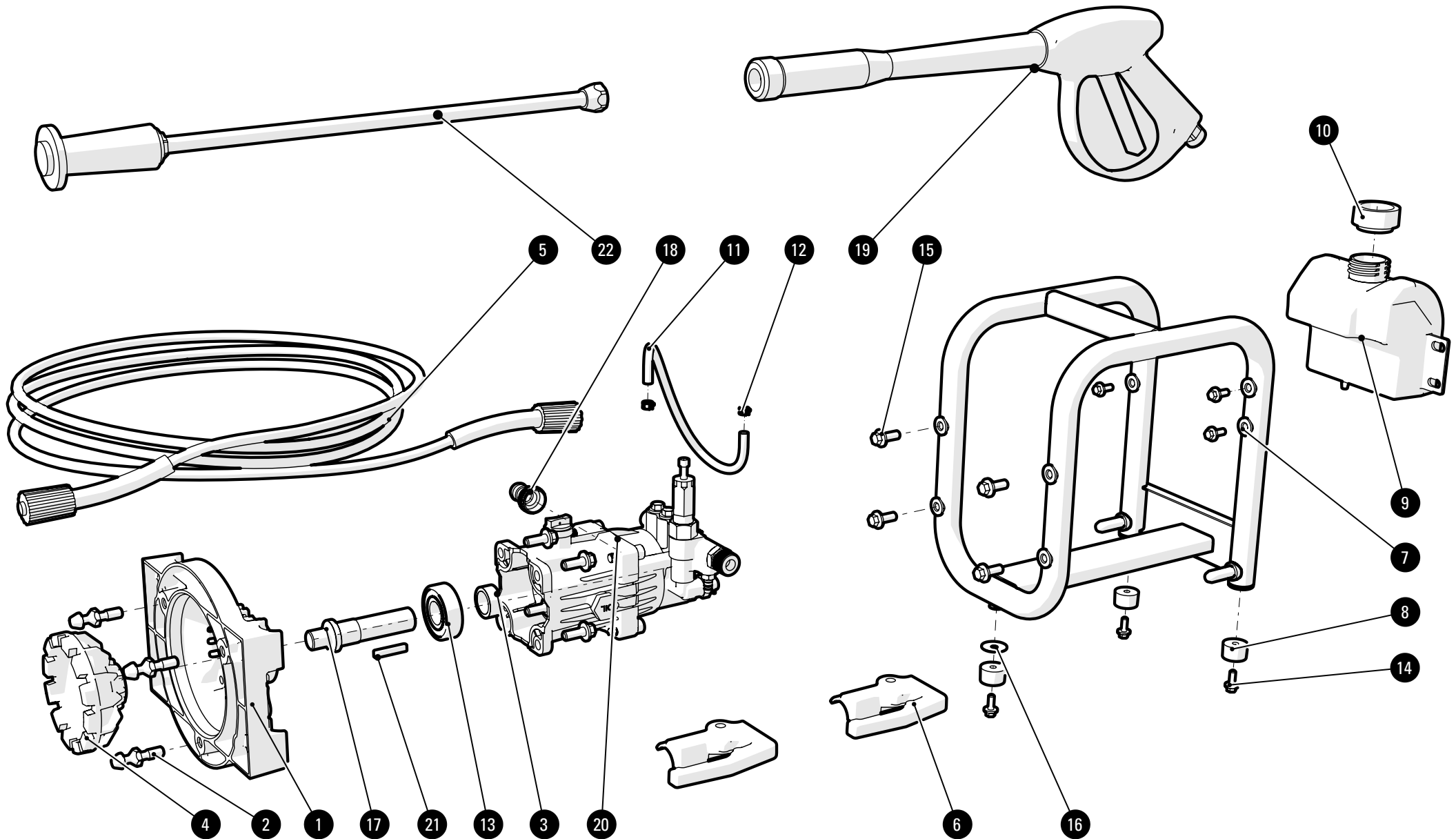




PRESSURE WASHER (PW3200)
WITH EVO-SYSTEM® TECHNOLOGY
DIAGRAM PART NUMBER: 014-0109B

Registered Design. Patent Pending 1101605.2.





**PRESSURE WASHER (PW3200)
WITH EVO-SYSTEM® TECHNOLOGY
DIAGRAM PART NUMBER: 014-0109B**

Registered Design. Patent Pending 1101605.2.

No.	Part No.	Description	Quantity	List Price (€)
1	014-1160	Adapter	1	27.64
2	014-1066	Pin	3	3.34
3	014-1227	Sleeve	1	1.54
4	014-1129	Accessory Hub	1	5.01
5	014-1132B	High Pressure Hose 6m	1	39.99
6	014-1153	Lance Holder	2	1.29
7	014-1161	Frame	1	29.57
8	014-1165	Rubber Feet	3	1.76
9	014-1170B	Detergent tank	1	9.64
10	014-1171	Cap	1	3.86
11	014-1172	Detergent Hose	1	3.21

No.	Part No.	Description	Quantity	List Price (€)
12	014-1173	Hose Clip	2	0.84
13	F-B-6204-2RSR	Bearing 6204-2RSR	1	3.86
14	F-HFS-M6-15-ST-BZP	M6 x 15 Hex Flanged Screw	7	0.51
15	F-HFS-M8-20-ST-BZP	M8 x 20 Hex Flanged Screw	8	0.51
16	F-RW-M6-X-ST-BZP	M6 Repair Washer	1	0.51
17	014-1052	Shaft	1	8.36
18	014-1231	Quick Release Adapter	1	2.19
19	014-1133B	Lance	1	33.43
20	014-1055B	Pressure pump	1	142.83
21	014-1225	Woodruff key	1	0.90
22	014-1133-01B	Lance end pipe assy	1	18.00